

HARDWARE



Consistent quality: good fit

Seal specialist Norseal and door and window systems and hardware manufacturer GU have collaborated to develop a range of tested and certified ironmongery protection kits. The bespoke kits, produced by Norseal, are available for a wide selection of GU multi-point locks and ancillary door hardware, supporting, certified fire performance across a broad range of door hardware.

Most kits use high-performance Interdens material, cut and assembled by Norseal to deliver a precise fit and consistent quality. By combining GU's comprehensive hardware range with Norseal's ability to manufacture bespoke intumescent protection, the collaboration addresses an often-overlooked aspect of fire door performance and makes it easier for door and window manufacturers and contractors to specify and install fully tested solutions. The kits can be ordered directly from GU when ordering the associated hardware. Both companies plan to extend the range as additional hardware combinations undergo testing.

Norseal is a UK specialist in door seals, intumescent products, and fire-protection solutions. With the largest stockholding and widest range of seals in the UK, Norseal supports manufacturers, contractors, and specifiers with tested, reliable products and expert technical guidance.

GU (Gretsch-Unitas) is an international manufacturer of locks, hinges, door and window systems, and hardware solutions. With a wide, fully integrated product range, GU provides high-performance components for security, accessibility, energy efficiency, and building safety across residential and commercial applications. □

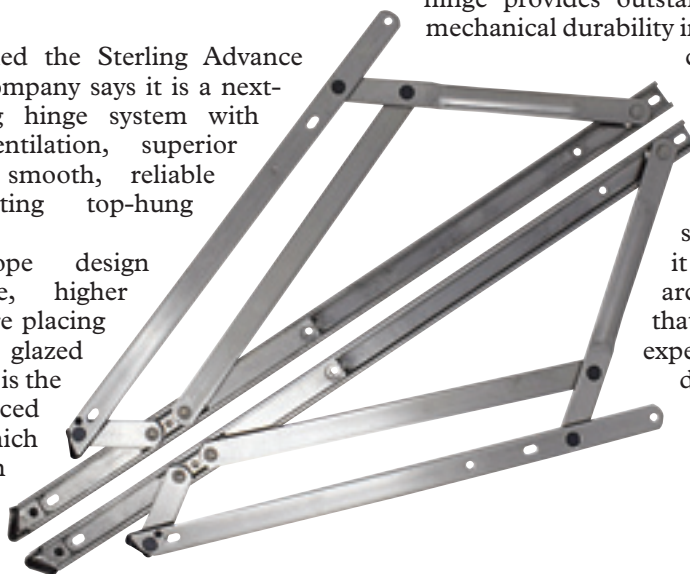
www.gu.com



Bringing balance

Securistyle has launched the Sterling Advance window hinge. The company says it is a next-generation self-balancing hinge system with exceptional natural ventilation, superior weather sealing, and smooth, reliable operation for projecting top-hung windows.

As building envelope design continues to advance, higher performance standards are placing greater demands on glazed façades. One notable shift is the requirement for enhanced thermal performance, which has led to glazing in opening lights being positioned further



outboard rather than in the traditional inline location.

Securistyle says that the Sterling Advance window hinge has been specifically developed to accommodate these offset glass positions. Engineered to deliver improved balance and optimised operating forces, it ensures smooth, reliable operation even in complex facade designs according to the company.

Constructed from austenitic 304 stainless steel, the hinge provides outstanding corrosion resistance and mechanical durability in even the harshest environments claims Securistyle.

Richard Gurmin, director and head of export – fenestration at Securistyle, says: “Our new Sterling Advance window hinge is exceptionally strong, safe, and smooth to use – making it ideal for fabricators and architects working on buildings that require a premium user experience with no compromise on durability.” □

www.securistyle.com/uk/en

For the forget-to-locks

Kenrick says it has further enhanced the functionality of its AK Safe Secure smart lock box with the introduction of a new automatic self-locking feature, designed to improve security, efficiency and peace of mind for facility managers.

The new auto-lock function ensures that AK Safe Secure automatically locks itself just three seconds after the door is closed, removing the need for manual locking and reducing the risk of human error on site or in busy property environments.

As access solutions continue to play a vital role in modern property management and construction workflows, reliability and ease of use are becoming just as important as physical strength and security. The auto-lock feature has been developed to support contractors and property managers who require dependable access control across multiple locations and users.

Andy Meakin, sales and marketing manager at Kenrick, says: “The addition of automatic self-locking is a simple but highly effective enhancement to AK Safe Secure. It ensures the lock box is never accidentally left unsecured, even in fast-paced working environments.

For contractors and property managers, this means greater confidence that access points remain protected at all times.”

For contractors, the auto-lock feature helps streamline



daily operations by removing an extra step from access management. Whether working on new builds, refurbishments or maintenance projects, users can close the door knowing the lock box will secure itself automatically, helping to protect keys, fobs and access credentials on site. □

www.kenricks.co.uk

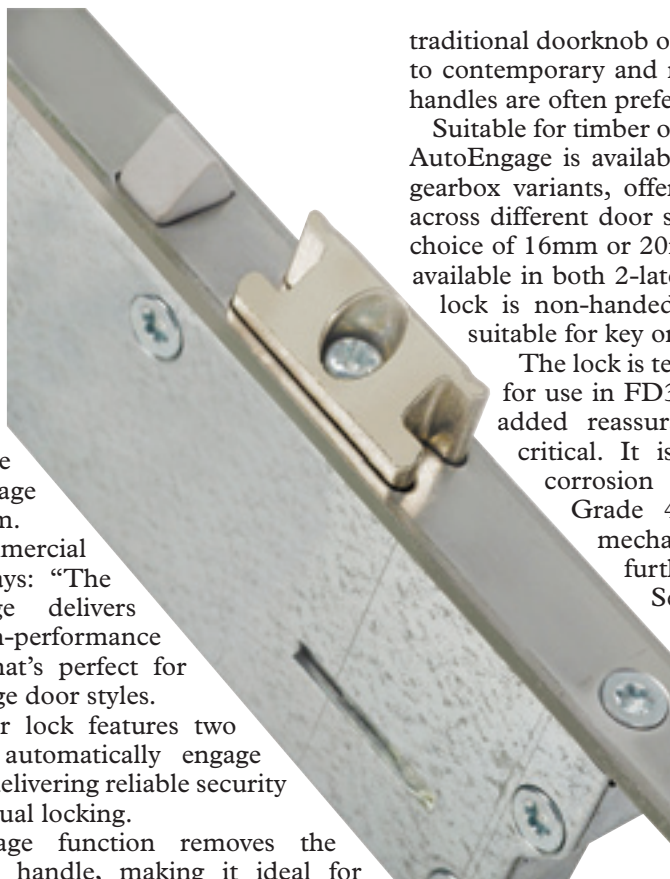
For peace of mind

Safeware has extended its Yale range with the addition of the Lockmaster AutoEngage multi-point locking system.

Rob Hartill, commercial director of Safeware, says: “The Lockmaster AutoEngage delivers Yale’s trademark high-performance security in a product that’s perfect for contemporary and heritage door styles.

“This multi-point door lock features two security latches which automatically engage when the door is closed, delivering reliable security without the need for manual locking.

“The automatic engage function removes the requirement for a lever handle, making it ideal for heritage doors that retain the authentic look of a



traditional doorknob or latch pull. It is equally well suited to contemporary and minimalist designs, where pull bar handles are often preferred.”

Suitable for timber or composite doors, the Lockmaster AutoEngage is available with 35mm, 45mm and 55mm gearbox variants, offering a wide range of applications across different door specifications. It is supplied with a choice of 16mm or 20mm Yale-branded faceplates and is available in both 2-latch and 3-latch configurations. The lock is non-handed to simplify stockholding and is suitable for key or lever operation.

The lock is tested to PAS 24:2016 and approved for use in FD30 and FD60 fire doors, providing added reassurance where fire performance is critical. It is Secured by Design compliant, corrosion resistant to BS EN 1670:2008

Grade 4 and supplied with a 10-year mechanical guarantee. Product quality is further reinforced by the Yale Lifetime Security Guarantee, which provides compensation in the event of a break-in caused by the failure of a Yale door or window security component. □

www.safewarehardware.com